

MX102 - 1-12 Channels



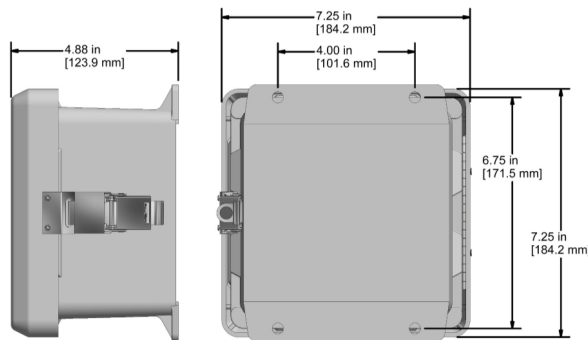
VIBRATION ANALYSIS HARDWARE

Single Axis MAXX Box, Enclosed Individual BNC Connectors, Fiberglass Enclosure, NEMA 4X (IP66) Rated, Channel Options: 1 to 12



Product Features

- Connects remotely installed sensors to portable data collectors
- Up to 12 BNC jacks are mounted in one, safe and convenient location for quick access
- ▶ Withstands harsh factory and outdoor environments
- ▶ Quick-release input terminal blocks



Specifications

Temperature Range	-58°F (-50°C) to 180°F (82°C)
Enclosure Material	Fiberglass
Inputs	Terminal Block 3 Inputs per Channel (+, -, Shield)
Outputs	BNC Jack per Channel, Electrically Isolated
Channel Options	1 - 12 Channel Options
Rating	NEMA 4X (IP66)
Door Closure	Snap Latch
Dimensions	7.72 x 7.72 x 4.61 in (196 x 196 x 117 mm)
Cord Grips	Optional
Resistance	Resistant to Hose Directed Fluid and Corrosion

Ordering Information

MX -

Enclosure Type	Channels	Input Options
102 - Fiberglass Enclosure 202 - Stainless Steel Enclosure	1 - 1 Channels 7 - 7 Channels 2 - 2 Channels 8 - 8 Channels 3 - 3 Channels 9 - 9 Channels 4 - 4 Channels 10 - 10 Channels 5 - 5 Channels 11 - 11 Channels 6 - 6 Channels 12 - 12 Channels	A - User Defined* B - Conduit Fitting** C - Cord Grip S - Stainless Steel Cord Grips*

*No punch outs are provided in the enclosure for cable entry. User may install any fitting required.
**For use with conduit.
*Stainless steel enclosure only.

Backed by our Unconditional Lifetime Warranty

www.ctconline.com | sales@ctconline.com | 585-924-5900